

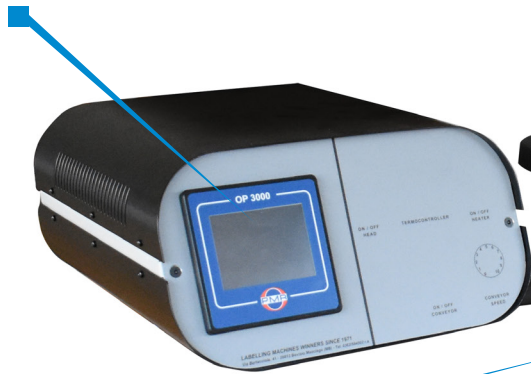


**FILLING
CAPPING
LABELLING**
since 1971

CLASSIC NEW LABELLING HEAD

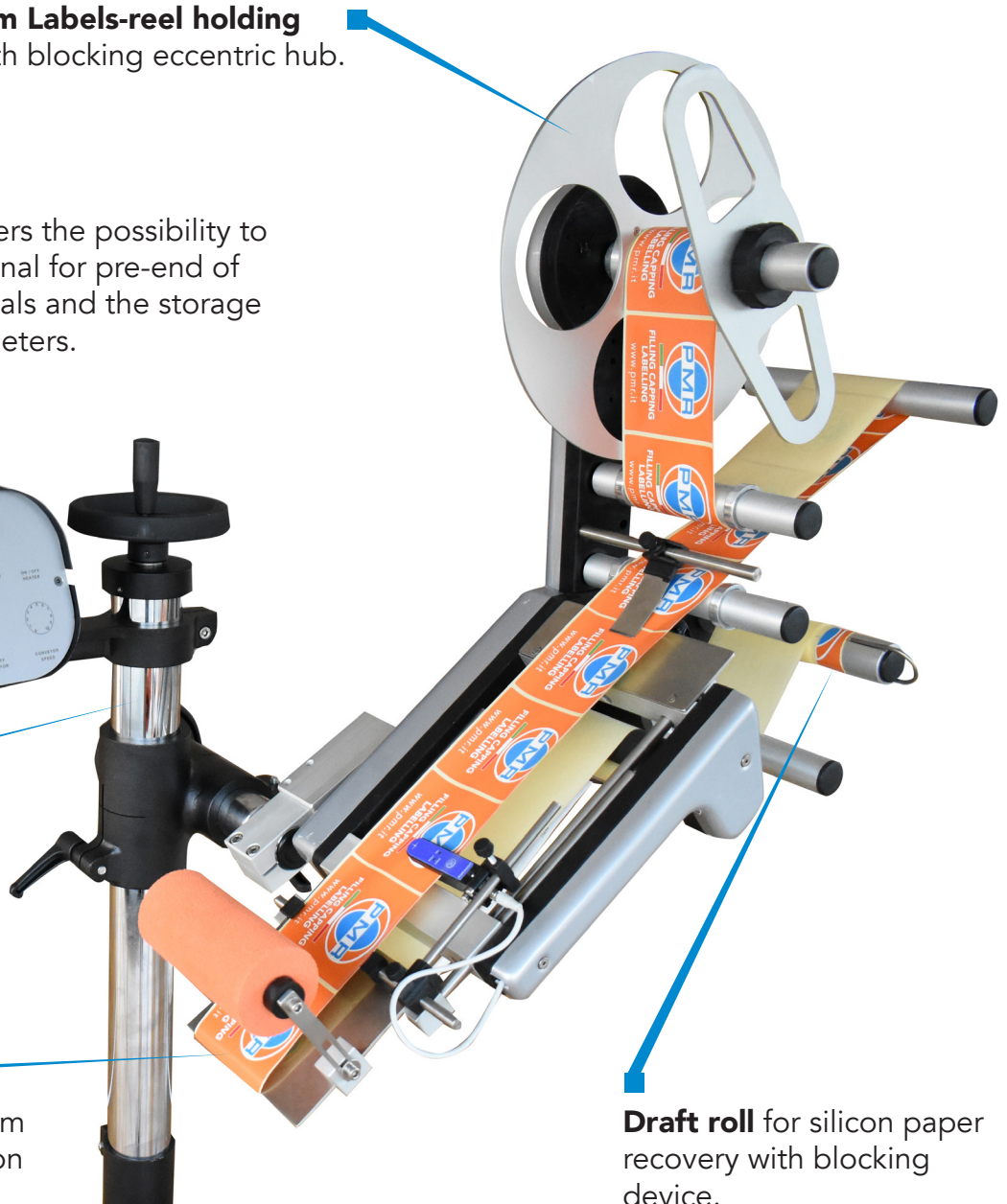
Aluminium Labels-reel holding plates with blocking eccentric hub.

Touch screen control box: offers the possibility to set the start/stop delay, the signal for pre-end of labels, also includes alarm signals and the storage of 10 different label size parameters.



Chrome-plated steel support column with wheels for horizontal and vertical adjustment.

Application of labels sized from mm 10 to mm 150, other size on demand.



Draft roll for silicon paper recovery with blocking device.



CLASSIC NEW

LABELLING HEAD



**FILLING
CAPPING
LABELLING**
since 1971

GENERAL FEATURES

Automatic labelling machines for labels application on round and square products. Labelling head suitable to be integrated to the existing conveyor using its own stainless steel column, adjustable in height and depth, and complete with asymmetrical base with adjustable feet or self-blocking wheels. Touch screen control box can manage external signals and store in memory data relative to as many as the storage of 10 labels.

ACCESSORIES

End of paper - paper breaking sensor - label rollend sensor, swinging arm and microswitch interface with your PLC same with acoustic alarm - paper broken sensor with fork and photocell 24VCC NPN - pneumatic products expellers for labelling block - encoder - swinging Blade - swinging arm or irregular surfaces - overprinting group o with thermal transfer.

TECHNICAL FEATURES

	NEW1	NEW 2	NEW3	PLUS
Speed	20 mt/min	30 mt/min	40 mt/min	60 mt/min
Machine size				
length	mm 700	mm 700	mm 700	mm 700
width	mm 350	mm 350	mm 350	mm 350
height	mm 400	mm 400	mm 400	mm 400
Motor	Stepper motor			
Labels size *				
min.	mm10x10	mm10x10	mm10x10	mm10x10
max	mm120x350	mm120x350	mm150x350	mm150x350
Power	230 V AC	230 V AC	230 V AC	

AVAILABLE MODELS

CLASSIC NEW1
CLASSIC NEW2
CLASSIC NEW3
PLUS

**Other size on request.*



PMR System Group srl
Via Bertacciola, 41
20813 Bovisio Masciago (MB)
Italy

+39 0362 594502

+39 0362 594485

pmr@pmr.it

www.pmr.it

